

N.O.F. / Inc.



4' Garden Recycled Plastic Bench.

- Also available in 6' length. Shown in 4 ft. size.
- Inground and surface mounting kits available.
- 55 lbs.
- Dim: 48"W x 20 1/2"D x 17"Ht.
- Made with six 1" x 4" recycled plastic seat slats and 2" x 4" legs.
- All holes are predrilled and countersunk for plastic lumber.
- Includes a UV protectant.
- Maintenance free.
- Available in green, cedar, white.
- Some assembly required.

Item# JP PB4GAR

Model Number	Weight	Dimensions
JP PB4GAR	55 Lbs.	48"W x 20 1/2"D x 17" Ht.- 2 Bases
JP PB6GAR	75 Lbs.	72"W x 20 1/2"D x 17" Ht.- 3 Bases

Resinwood Slat Colors



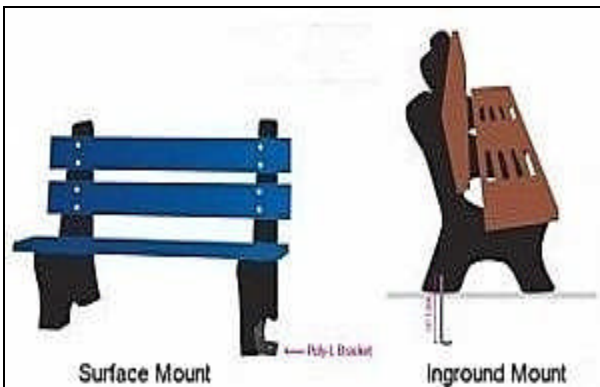
Green

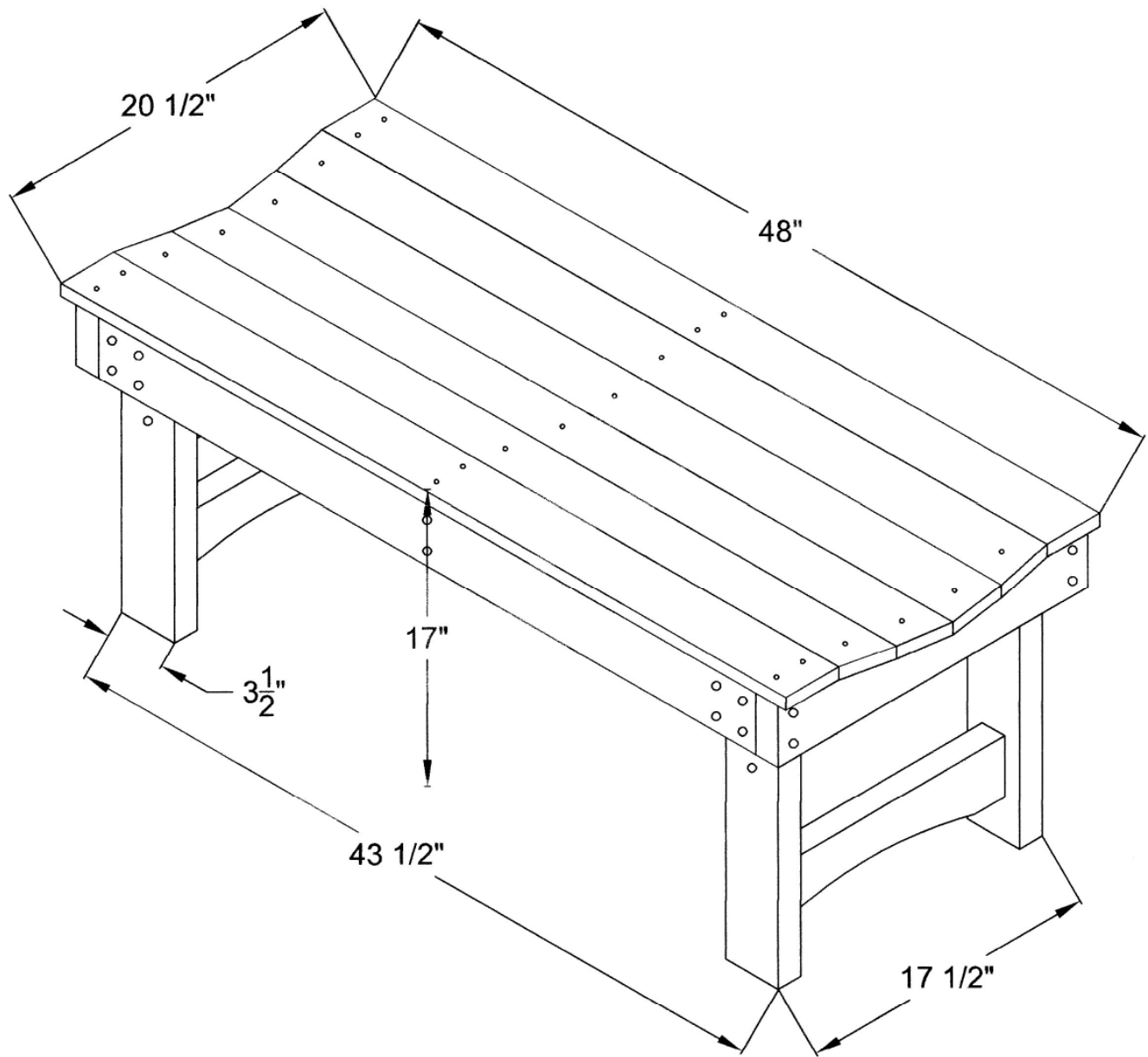


Cedar



White





- SEAT IS CONTOURED FOR COMFORT AND MADE OF RECYCLED PLASTIC
- SHIPS MOSTLY ASSEMBLED
- COMES WITH ZINC COATED HARDWARE
- UNIT WEIGHT APPROX. 55 LBS.

NATIONAL OUTDOOR FURNITURE, INC.
 1210 W. Main Street #296 Riverhead, NY 11901
 Toll-Free Phone: 1-888-663-4621
 Phone: 631-369-9099 Fax: 631-207-8312
 Email: nofinc@optonline.net
www.nationaloutdoorfurniture.com

NATIONAL OUTDOOR FURNITURE, INC.
 144 Murdock Road #325 Pomfret Center, CT 06259
 Toll-Free Phone: 1-888-516-8873
 Phone: 1-860-974-1551 Fax: 516-706-1901
 Email: nofinc@earthlink.net
www.nationaloutdoorfurniture.com